

NU-GUARD SC2-P ADH



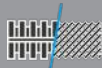
NU-GUARD SC2-P ADH



Mechanical & Abrasion Protection
Noise Reduction



Self-Closing Sleeving



Knitted



PET monofilament
Texturized multifilament
Acrylic adhesive



Standard: Black with purple stripe



Low: -40°C (-40°F)
High: 150°C (302°F)



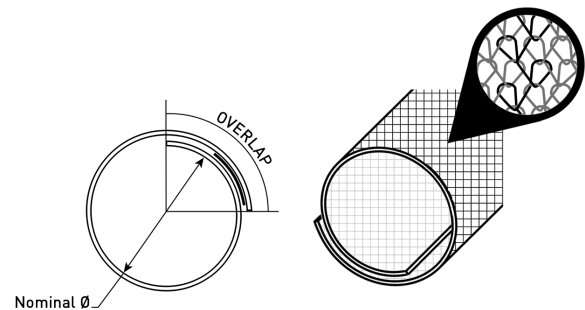
Medium abrasion resistance
Noise reduction >10 dB
Closure with an adhesive film

PHYSICAL PROPERTIES

Physical properties	Spec	Value
Long term aging (3000h/150°C)	-	pass
Short term aging (240h/175°C)	-	pass
Abrasion resistance	GMW 14327 PSA 96 458 709 99	category 4 class 3
Flammability	SAE J 369	self-extinguishing
Chemical resistance	Resists the majority of chemicals and automotive fluids	

DIMENSIONS

Designation	Nominal Ø (mm)	Functional Ø (mm)
NU-GUARD SC2-P ADH 09	9	8 - 9
NU-GUARD SC2-P ADH 12	12	10 - 12
NU-GUARD SC2-P ADH 16	16	13 - 16
NU-GUARD SC2-P ADH 18	18	17 - 18
NU-GUARD SC2-P ADH 22	22	19 - 22
NU-GUARD SC2-P ADH 25	25	23 - 25
NU-GUARD SC2-P ADH 32	32	26 - 32
NU-GUARD SC2-P ADH 36	36	33 - 36
NU-GUARD SC2-P ADH 42	42	37 - 42



PACKAGING

Cut lengths